

Specifile	
Main Heading:	Stainless Steel
Sub Heading:	Bathroom Accessories
Cl/SfB:	(74)
Specifile Sect No.:	118
Date:	August 2006

Washroom Accessories Bathroom Accessories Grab Rails

Accessories • Sanitary Ware • WC Pans & Urinals • Security • Laundry • Medical • Industrial • Shelving • Mortuary • Deko • Taps & Valves • Zip



Comprehensive solutions in stainless steel.

FRANKE

Hands Free Systems

Hands Free Hand Dryer HF2400 HD



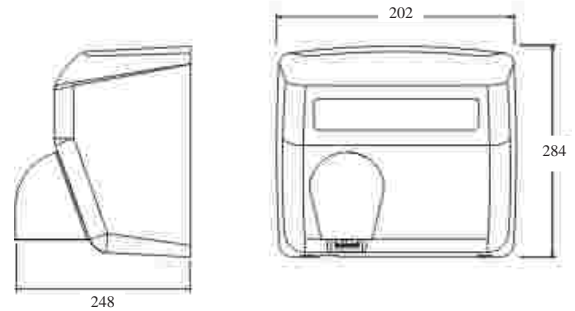
Product Code: 359961
H=284 W=202 D=248

Description:

- Automatic Operation
- Automatic Power Cut Off
- 2 Vandal proof Lock Screws & Key Wrench
- Volts 230/240 V
- Watts 2.2/2.4 kW
- Motor 200 W, 5500 RPM
- 5 Year Warranty

Specifications:

Wall mounted automatic warm air non-touch hand dryer manufactured from 1.2mm thick Grade 304 (18/10) Stainless Steel with automatic cut-off with blower output of 28m/s temperature approximately 65°C and adjustable sensitive distance of sensor from 100 to 300mm as supplied by Franke Kitchen Systems.



Hands Free Soap Dispenser HF950 SD



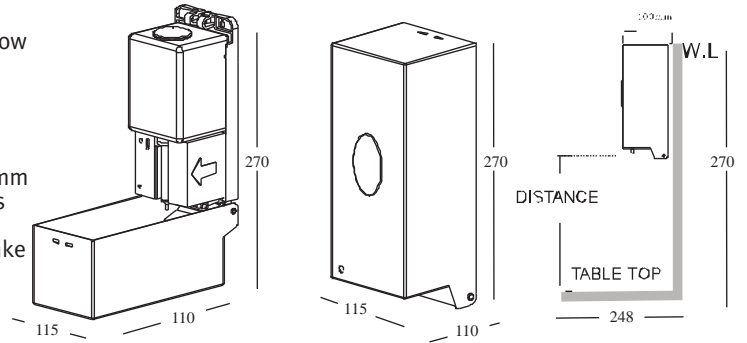
Product Code: 359966
H=270 W=115 D=110

Description:

- Automatic Operation
- Red light means battery power low
- 1 drop of soap without touch
- 1 Year Warranty

Specifications:

Wall mounted automatic soap dispenser manufactured from 1.0mm thick Grade 304 (18/10) Stainless Steel Dispensing 1 drop of soap without touch as supplied by Franke Kitchen Systems.



Sensor Type Paper Roll Dispenser



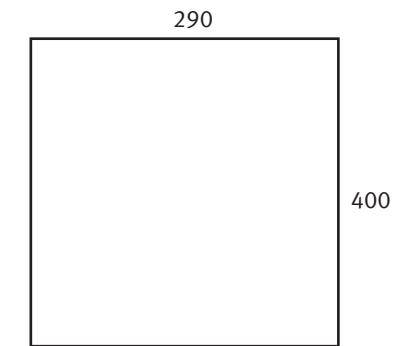
Product Code: 359702
H=400 W=290 D=230

Description:

- Stainless Steel
- Battery Operated (4 large torch batteries) 6V
- Life Span: 4 batteries = 80 rolls
- Sensor
- Security Lock
- Paper can be adjusted
- 300mm (L)
- 250mm (M)
- 200mm (S)
- Can take two rolls: second roll can be fitted if it gets to 75mmØ (1&1/4 rolls)
- Takes paper 190 to 200mm wide
- On-Off Switch

Specifications:

Wall mounted Sensor Type Paper Roll Dispenser in Grade 304 (18/10) Stainless Steel as supplied by Franke Kitchen Systems.



Sensor Type Paper Roll Dispenser

Stratos

Clarity, elegance and harmony of material and form are the factors that characterise today's approach to design. There is a growing feeling that even objects destined for daily use should offer looks that measure up to their advanced functionality.

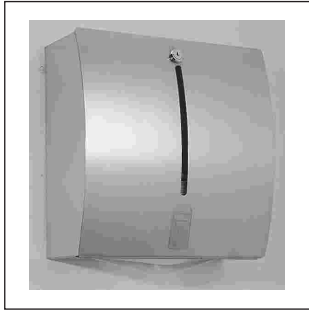
- Heavy Duty Designer Range
- Material Thickness: 1.5 - 2mm in Grade 304 (18/10) Stainless Steel
- Satin Finished Brushed Surface



Stratos Range

Heavy Duty Designer Range of Washroom Accessories

Paper Towel Dispenser STRX 600



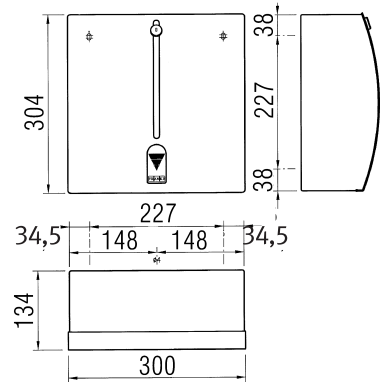
Description:

Surface mounted paper towel dispenser, manufactured from 18/10 Stainless Steel, surface SATIN finish, material thickness 1.2/1.5mm, the paper towel dispenser has a capacity of 300-400 towels depending on the type and their folding, soap dispenser incorporates a replaceable 1 litre container, cylinder lock with standard Franke key, including screws and dowels.

Suitable Paper Towel Sizes:

Minimum: 240x85mm
 Maximum: 250x105mm
 Ideal: 250x95mm

H=304 W=300 D=134



Product Code: 359700

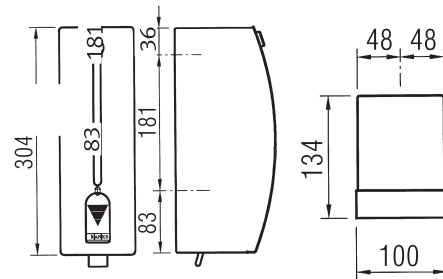
Soap Dispenser STRX 618



Description:

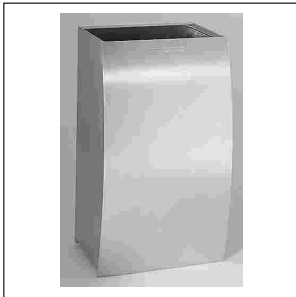
Surface mounted soap dispenser, manufactured from 18/10 Stainless Steel, material thickness 1.2/1.5mm - SATIN finish. The soap dispenser incorporates a replaceable and refillable 1 litre container which is suitable for liquid and antiseptic soaps and lotions, cylinder lock with standard Franke key, including screws and dowels.

H=304 W=100 D=134



Product Code: 359705

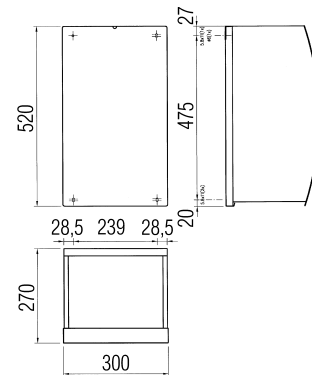
Waste Bin STRX 605



Description:

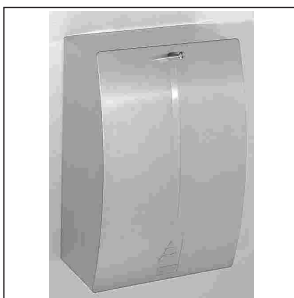
Surface mounted waste bin, manufactured from 18/10 Stainless Steel, material thickness 1.2/1.5mm, surface SATIN finish, the container has approx. 34 litre capacity, with cylinder lock and standard Franke key, including screws and dowels.

H=520 W=300 D=270



Product Code: 359730

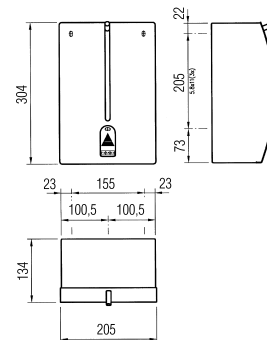
Sanitary Towel Disposal Bin STRX 611



Description:

Surface mounted sanitary towel disposal bin, manufactured from 18/10 Stainless Steel, surface SATIN finish, material thickness 1.2/1.5mm, the disposal bin incorporates a plastic container with a 6 litre capacity and is for the disposal of sanitary towels and minor waste and has a Stainless Steel continuous piano hinge, including screws and dowels.

H=304 W=205 D=134



Product Code: 359740

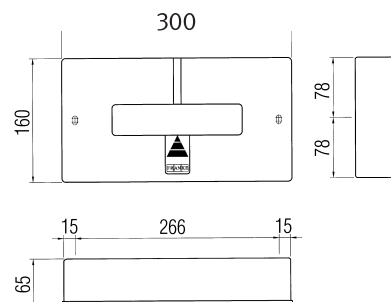
Face Towel Dispenser STRX 650



Description:

Surface mounted face towel dispenser, manufactured from 18/10 Stainless Steel, surface SATIN finish, material thickness 1.2/1.5mm, for use with face towel packs, including screws and dowels.

H=300 W=65 D=160



Product Code: 359760

Toilet Roll Holder STRX 671

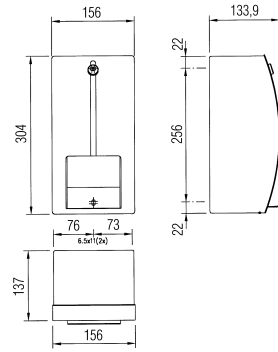


Product Code: 359715

Description:

Surface mounted toilet paper roll holder, manufactured from 18/10 Stainless Steel, surface SATIN finish, to take 2 rolls with maximum 108 mm Ø, the reserve roll is not visible and drops automatically into the dispensing position by tipping up the tongue, cylinder lock with standard Franke key, including screws and dowels.

H=304 W=156 D=133.9



Toilet Roll Holder STRX 677

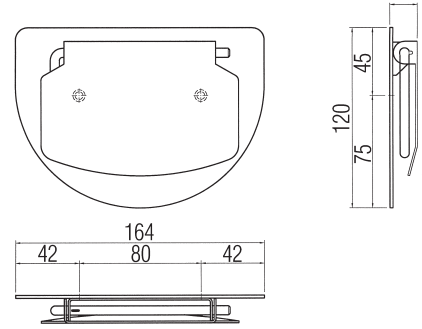


Product Code: 359717

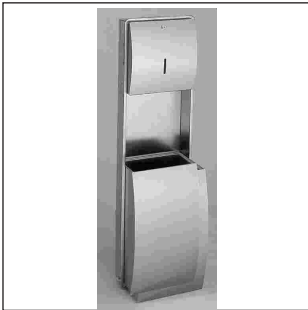
Description:

Surface mounted toilet paper roll holder with lid, manufactured from 18/10 Stainless Steel, surface SATIN finish, material thickness 2mm and for 1 roll with a maximum 130mmØ, including screws and dowels.

H=120 W=164 D=18



Recessed Paper Towel Dispenser - Waste Bin Combination STRX 602E

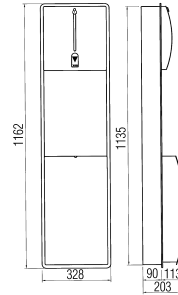


Product Code: 359772

Description:

Recessed paper towel dispenser and waste bin combination, manufactured from 18/10 Stainless Steel, surface SATIN finish, material thickness 1.2/1.5mm, both parts with cylinder lock and standard Franke key, capacity of 300-400 towels depending on the type and their folding, the container has a capacity of approx. 22 litres, including screws and dowels

H=1162 W=328 D=203



Toilet Roll Holder with Spindle System STRX 672E

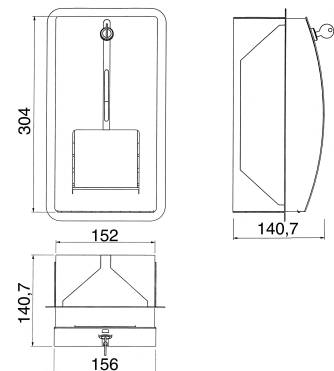


Product Code: 359721

Description:

Toilet Roll Holder with spindle system, recessed mounting, manufactured from 18/10 Stainless Steel, surface SATIN finish. Thickness is 1.2/1.5mm. For 2 rolls max. 108mmØ, the reserve roll is not visible and drops automatically into the dispensing position after finishing of the first roll. Cylinder lock with standard Franke key, including screws and dowels.

H=304 W=156 D=140.7



Recessed Toilet Roll Holder STRX 673E

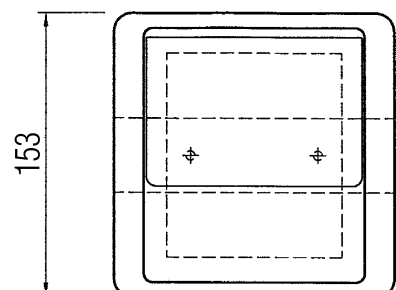


Product Code: 359719

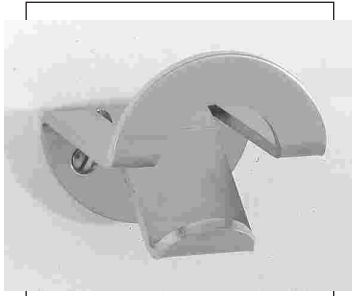
Description:

Recessed Toilet Roll Holder manufactured from 18/10 Stainless Steel, surface SATIN finish. Thickness is 1.2/1.5mm. For single rolls, including screws and dowels.

H=153 W=153 D=65



Single Cloth Hook STRX 690

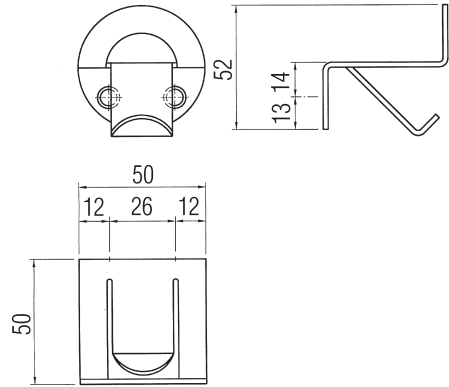


Product Code: 359750

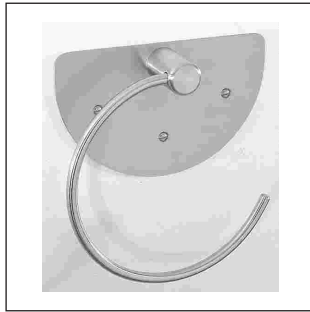
Description:

Surface mounted single cloth hook, manufactured from 18/10 Stainless Steel, surface SATIN finish, material thickness 2mm, including screws and dowels.

H=52 W=50 D=50



Towel Ring STRX 629

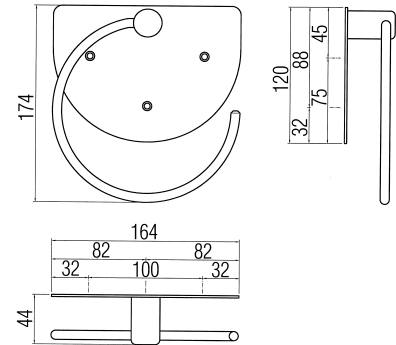


Product Code: 359784

Description:

Surface mounted towel ring, manufactured from 18/10 Stainless Steel, surface SATIN finish, material thickness of the mounting plate 2mm, including screws and dowels.

H=174 W=164 D=44



Non Stock Items - Stratos Factory Orders; Lead Time 8 Weeks

Paper Towel Dispenser - Soap Dispenser - Combination STRX 601



Product Code: 359770

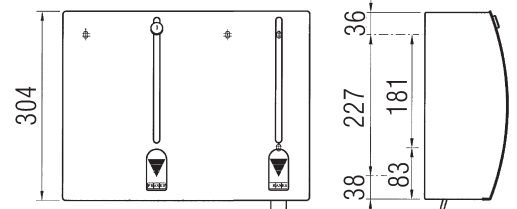
Suitable Paper Towels Sizes:

Min: 240 x 85
Max: 250 x 105
Ideal: 250 x 95

Description:

Surface mounted paper towel and soap dispenser combination, manufactured from 18/10 stainless steel - SATIN finish, material thickness 1.2/1.5mm, the paper towel dispenser has a capacity of 300-400 towels depending on the type and their folding, soap dispenser incorporates a replacable 1 litre container, cylinder lock with standard Franke key, including screws and dowels.

H=396 W=134 D=304



Recessed Paper Towel Dispenser - Waste Bin - Combination STRX 617E



Product Code: 359773

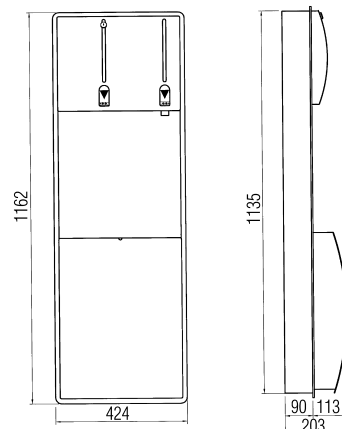
Suitable Paper Towels Sizes:

Min: 240 x 85
Max: 250 x 105
Ideal: 250 x 95

Description:

Recessed paper towel and soap dispenser and waste bin combination, manufactured from 18/10 stainless steel, surface SATIN finish, material thickness 1.2/1.5mm, both parts with cylinder lock with standard Franke key, soap dispenser with 1 litre container, the paper towel dispenser has a capacity of 300-400 towels depending on the type and their folding, capacity of the waste bin approx. 29 litres, including screws and dowels.

H=424 W=203 D=1162

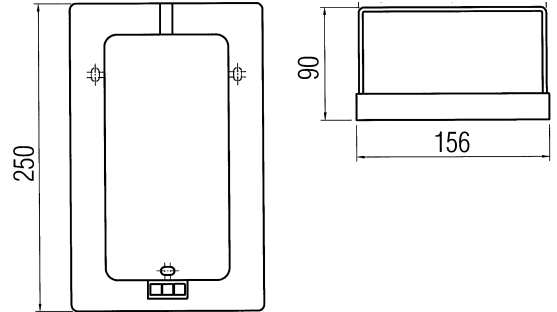


Hygiene Bag Dispenser STRX 615



Description:
Surface mounted face towel dispenser, manufactured from 18/10 Stainless Steel, surface SATIN finish, material thickness 1.2/1.5mm, for use with face towel packs, including screws and dowels.

H=250 W=90 D=156



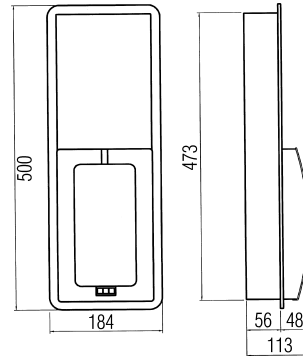
Product Code: 359765

Recessed Hygiene Bag Dispenser STRX 615E



Description:
Recessed hygiene bag dispenser, manufactured from 18/10 stainless steel, material thickness 1.2/1.5mm, for use with hygiene bags, including screws and dowels.

H=184 W=113 D=500



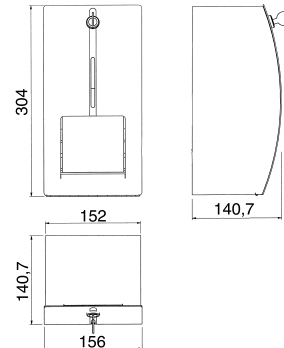
Product Code: 359766

Toilet Roll Holder with Spindle System STRX 672



Description:
Toilet Roll Holder with spindle system, wall mounting, manufactured from 18/10 Stainless Steel, surface SATIN finish. Thickness is 1.2/1.5mm. For 2 rolls max. 108mm Ø, the reserve roll is not visible and drops automatically into the dispensing position after finishing of the first roll. Cylinder lock with standard Franke key, including screws and dowels.

H=304 W=156 D=140.7



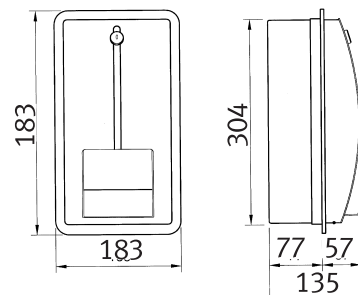
Product Code: 359716

Recessed Toilet Roll Holder STRX 671E



Description:
Recessed toilet paper roll holder, manufactured from 18/10 stainless steel, surface SATIN finish, to take 2 rolls with maximum 108 mm Ø, the reserve roll is not visible and drops automatically into the dispensing position by tipping up the tongue, cylinder lock with standard Franke key, including screws and dowels.

H=183 W=135 D=331



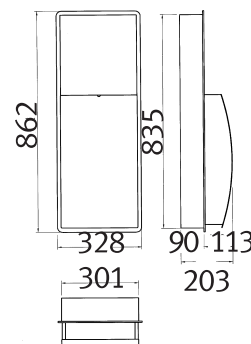
Product Code: 359720

Recessed Waste Bin STRX 605E



Description:
Recessed waste bin, manufactured from 18/10 stainless steel, material thickness 1.2/1.5mm, surface SATIN finish, the container has approx. 34 litre capacity, with cylinder lock and standard Franke key, including screws and dowels.

H=328 W=203 D=862



Product Code: 359732

Recessed Sanitary Towel Disposal Bin STRX 611E

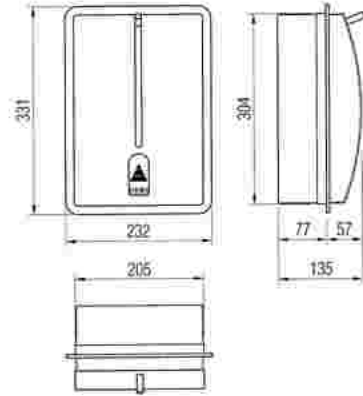


Product Code: 359741

Description:

Recessed sanitary towel disposal bin, manufactured from 18/10 stainless steel, surface SATIN finish, material thickness 1.2/1.5mm, the disposal bin incorporates a plastic container with a 6 litre capacity and is for the disposal of sanitary towels and minor waste and has a stainless steel continuous piano hinge, including screws and dowels.

H=232 W=135 D=331



Soap Dispensers STRX 618E

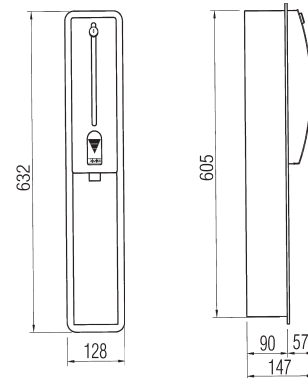


Product Code: 359706

Description:

Recessed soap dispenser, manufactured from 18/10 stainless steel, surface SATIN finish, material thickness 1.2/1.5mm, surface SATIN finish. The soap dispenser incorporates a replacable and refillable 1 litre container which is suitable for liquid and antiseptic soaps and lotions, cylinder lock with standard Franke key, including screws and dowels.

H=128 W=147 D=632



Paper Towel Dispenser STRX 600E

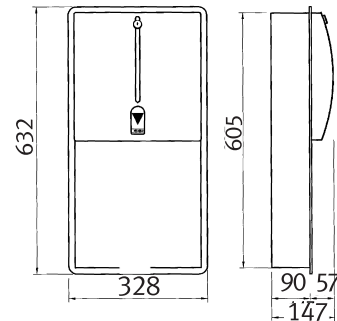


Product Code: 359701

Description:

Recessed paper towel dispenser, manufactured from 18/10 stainless steel, surface SATIN finish, material thickness 1.2/1.5mm, the paper towel dispenser has a capacity of 300-400 towels depending on the type and their folding, cylinder lock with standard Franke key, including screws and dowels.

H=328 W=147 D=632



Recessed Paper Towel Soap Dispenser - Combination STRX 601E

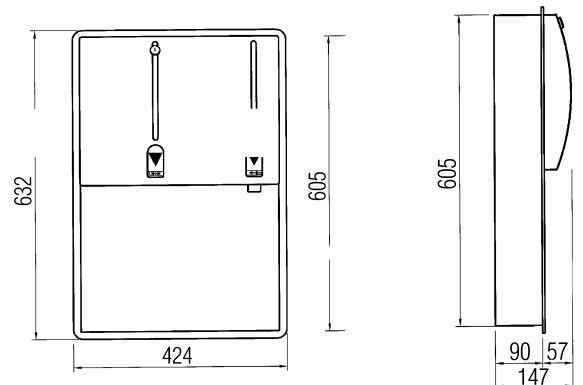


Product Code: 359771

Description:

Recessed paper towel and soap dispenser combination, manufactured from 18/10 stainless steel, surface SATIN finish, material thickness 1.2/1.5mm, the paper towel dispenser has a capacity of 300-400 towels depending on the type and their folding, soap dispenser incorporates a replacable 1 litre container, cylinder lock with standard Franke key, including screws and dowels

H=424 W=147 D=632



Face Towel Dispenser STRX 650E

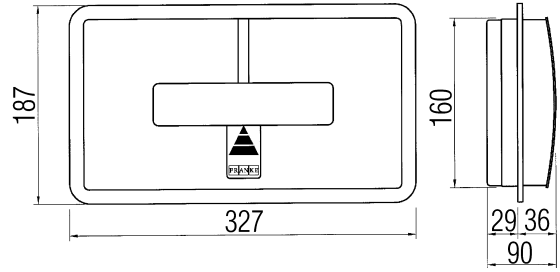


Product Code: 359761

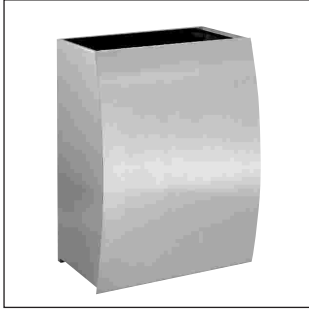
Description:

Recessed face towel dispenser, manufactured from 18/10 stainless steel, surface SATIN finish, material thickness 1.2/1.5mm, for use with face towel packs, including screws and dowels.

H=327 W=90 D=187



Waste Bin STRX 607

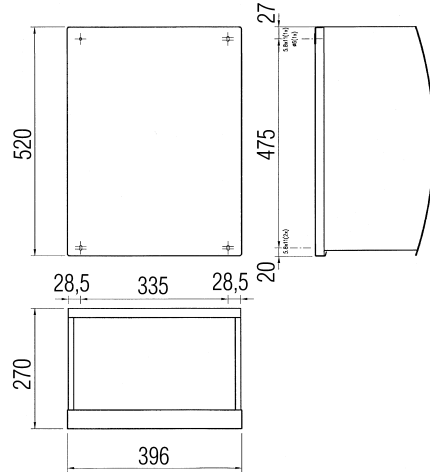


Product Code: 359731

Description:

Recessed waste bin, manufactured from 18/10 stainless steel, material thickness 1.2/1.5mm, surface SATIN finish, the container has approx. 34 litre capacity, with cylinder lock and standard Franke key, including screws and dowels.

H=396 W=270 D=520



Double Cloth Hook STRX 691

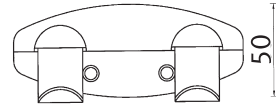


Product Code: 359751

Description:

Surface mounted double cloth hook, manufactured from 18/10 stainless steel, surface SATIN finish, material thickness of the mounting plate 2mm, including screws and dowels.

H=124 W=50 D=50



Chronos

Quality technology as an end in itself for optimum functioning. Franke Chronos is designed to equip toilets and washrooms in a functional, versatile and aesthetically pleasing way. Suitable for use in all areas.

- Classic Outline
- Pressed Front Sections
- Grade 304 (18/10) Stainless Steel
- Satin Finished Surface



Comprehensive solutions in stainless steel.

FRANKE

Chronos Range Standard Range of Washroom Accessories

Paper Towel BS 600P



Product Code: 359790

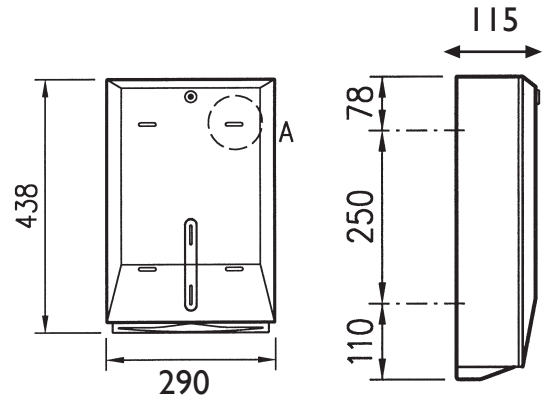
Description:

Wall mounted waste container manufactured from 18/10 Stainless Steel with a material thickness of 0.9mm and seamed welded upper and lower edges. The container is for wall mounting and has a capacity of 500-800 towels depending on type & folding – SATIN finish. Screws and rawl plugs are included.

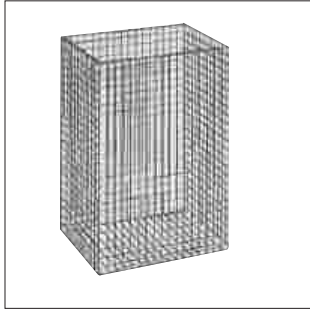
Suitable Paper Towel Sizes:

Minimum: 240x75mm
Maximum: 270x95mm
Ideal: 250x95mm

H=438 W=290 D=115



Paper Bin - CHRX 608

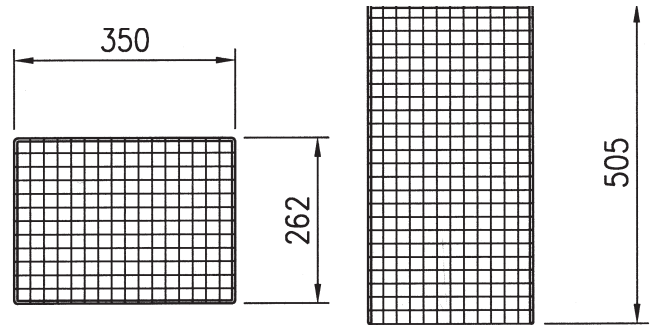


Product Code: 359823
(Suspension Hook)

Description:

Paper bin made out of wire (Stainless Steel, anti-blocking, wall mounted WF 0.8

H=505 W=350 D=262



Waste Container BS 603

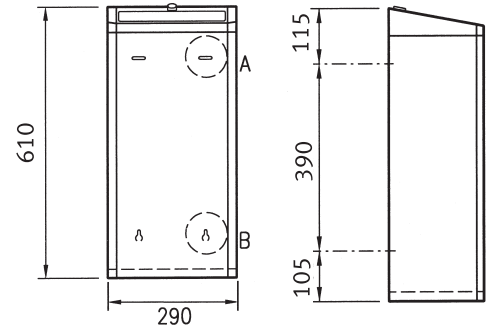


Product Code: 359820

Description:

Wall mounted waste container manufactured from 18/10 Stainless Steel with a material thickness of 0.8mm, fully welded body, Stainless Steel lid with piano hinge. The container for wall mounting has a capacity of 30 litres – SATIN finish. Screws and rawl plugs are included.

H=610 W=290 D=200



Sanitary Towel Disposal Bin BS 612 V

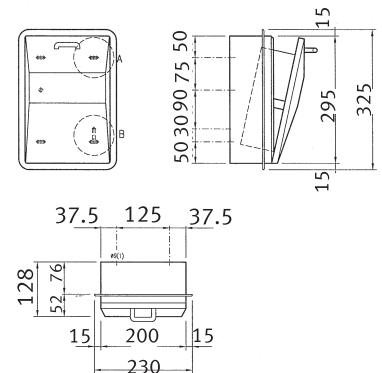


Product Code: 359831

Description:

Recessed sanitary towel disposal bin manufactured from 18/10 Stainless Steel with a deep drawn lid, welded container and Stainless Steel continuous piano hinge and wall trim for recess installation – SATIN finish. The disposal bin incorporates a plastic container with a 6 litre capacity and is for the disposal of sanitary towel and minor waste. Screws and rawl plugs are included.

H=295 W=200 D=128



Sanitary Disposal Bin DISBIN



Description:

Sanitary towel disposal bin manufactured from 18/10 stainless steel with a self closing lid, welded container and stainless steel hinge. The disposal bin is suitable for a removable plastic bag of 15 litres for the disposal of sanitary towel and minor waste. Unit is freestanding or it can be wall mounted using hilti screws.

H=800 W=280 D=1805

Product Code: 359742

Soap Dispenser SD 80

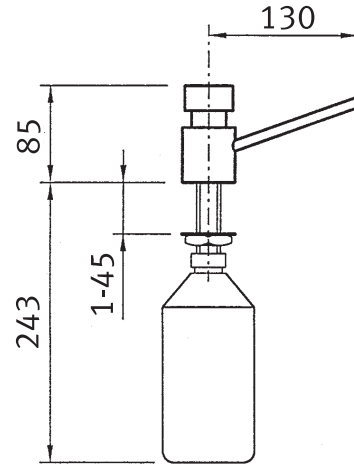


Description:

Manufactured from Chromium Plated brass and incorporates a replaceable 1 litre polyethylene container for use with liquid soap. The dispenser is for basin or counter top installations and can be filled from above if required. Installation hole required is 22mm Ø.

H=80 D=50

Product Code: 359802



Soap Dispenser BS 618

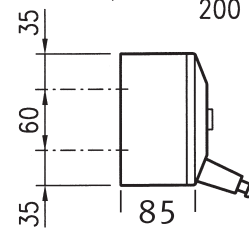
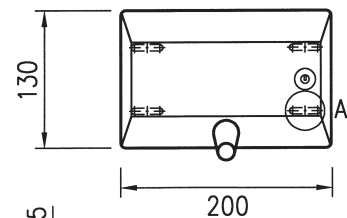


Description:

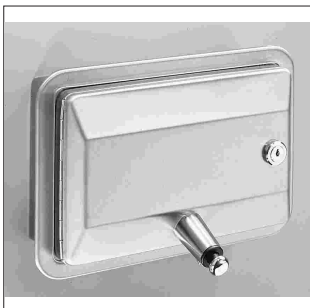
Wall mounted liquid soap dispenser manufactured from 18/10 Stainless Steel with a deep drawn lid, welded body and cylinder lock with standard Franke key. The dispenser is for wall mounting and incorporates a replaceable 1 litre polyethylene container which is suitable for liquid and antiseptic soaps and lotions – SATIN finish. Screws and rawl plugs are included.

H=130 W=200 D=85

Product Code: 359800



Soap Dispenser BS 619

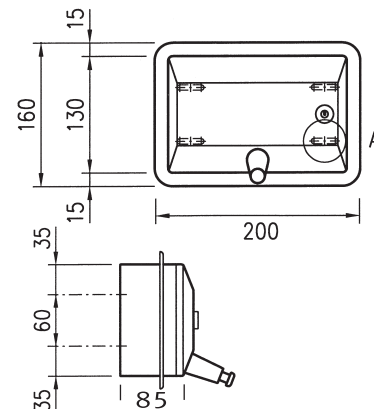


Description:

Recessed liquid soap dispenser manufactured from 18/10 Stainless Steel with a deep drawn lid, welded body, wall trim for recess installation and cylinder lock with standard Franke key. The dispenser incorporates a replaceable 1 litre polyethylene container which is suitable for liquid and antiseptic soaps and lotions – SATIN finish. Screws and rawl plugs are included.

H=130 W=200 D=85

Product Code: 359801



Ashtray BS 637



Description:

Franke Model "BS 637" size:
195x109x58mm stainless steel wall mounted ashtray with deep drawn tray which can be tilted for emptying. Screws and raw plugs included.

Without Lock.

H=58 W=195 D=109

Product Code: 359835

Shelf Tray/Soap Tray BS 644



Description:

Wall mounted shelf or soap tray manufactured from 18/10 stainless steel with a deep drawn 115mm tray which can be removed for cleaning – SATIN finish. Screws and rawl plugs are included.

H=140 W=140 D=117

Product Code: 359860

Shelf Tray/Soap Tray BS 646/BS 647



Description:

Wall mounted shelf or soap tray manufactured from 18/10 Stainless Steel with a deep drawn ribbed tray – SATIN finish. Screws and rawl plugs are included.

Table of Dimensions in mm

Model	Height	Width	Depth	Product Code
BS646 with holes	22	125	90	359863
BS647 without holes	22	125	90	359864

Shelf Tray/Soap Tray BS 648/BS 649



Description:

Wall mounted shelf or soap tray manufactured from 18/10 Stainless Steel with a deep drawn ribbed tray – SATIN finish. Screws and rawl plugs are included.

Table of Dimensions in mm

Model	Height	Width	Depth	Product Code
BS648 with holes	77	195	96	359865
BS649 with 2 hooks	77	195	96	359866

Toilet Brush Holder BHM 17P



Description:

Wall mounted toilet brush holder manufactured from 18/10 stainless steel. Screws and rawl plugs are included. Brush excluded.

Table of Dimensions in mm

Model	H	W	D	Product code
BHM17P Polished Stainless Steel	235	135Ø	135Ø	359962
BHM17B Brushed Stainless Steel	235	135Ø	135Ø	359963

Toilet Roll Holder CHRX 672

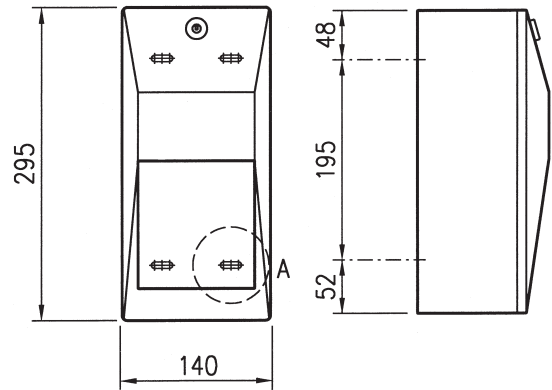


Product Code: 359808

Description:

Wall mounted toilet paper holder manufactured from 0.8mm thick 15/10 Stainless Steel to take two rolls with maximum 108mm Ø. The reserve roll is non visible and drops automatically into the dispensing position when required. The body of the dispenser is of a welded construction with a single piece deep drawn lid and cylinder lock with a standard Franke key - SATIN Finish. Screws and rawl plugs are included.

H=295 W=140 D=128



Recessed Toilet Roll Holder CHRX 672E

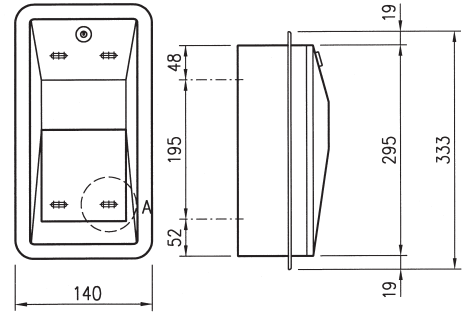


Product Code: 359809

Description:

Recessed toilet paper roll holder manufactured from 0.8mm thick 18/10 Stainless Steel with a single piece pressed lid, welded container and cylinder lock with a standard Franke key - SATIN finish. The dispenser takes two rolls with maximum 108mm Ø with the reserve roll not being visible until it is required when it drops automatically into the dispensing position. Screws and rawl plugs are included.

H=295 W=140 D=128



Toilet Roll Holder CHRX 675

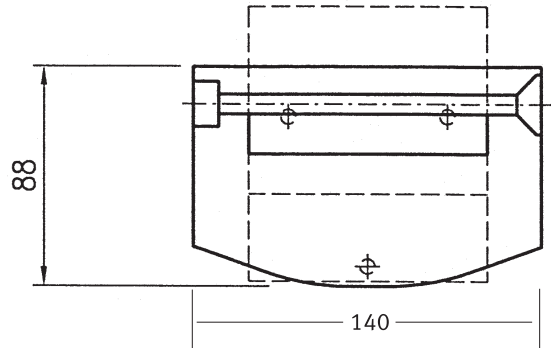


Product Code: 359814

Description:

Wall mounted toilet paper roll holder manufactured from 3.00mm thick 18/10 Stainless Steel with a thief resistant controlled delivery spindle operated by a special Franke key - SATIN finish. The dispenser takes one roll with a maximum 130mm Ø. Screws and rawl plugs are included.

H=104 W=140 D=88



Toilet Roll Holder BS 677

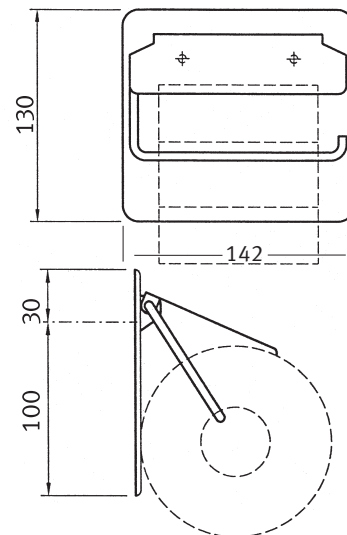


Product Code: 359816

Description:

Wall mounted toilet paper roll holder with lid manufactured from 0.9mm thick 18/10 Stainless Steel - SATIN finish. The dispenser takes one roll with a maximum 130mm Ø. Screws and rawl plugs are included.

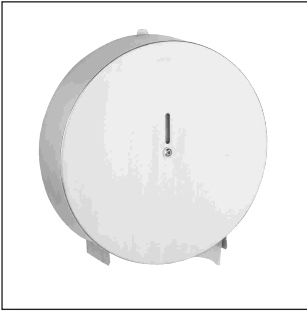
H=130 W=142 D=25



Non Stock Items - Chronos

Factory Orders; Lead Time 8 Weeks

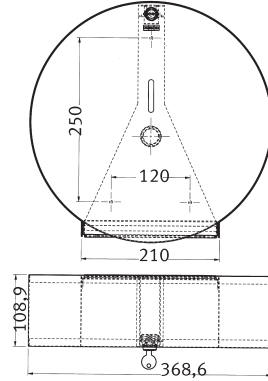
Toilet Roll Holder CHRX 670



Product Code: 359807

Description:
 Franke Model "CHRX 670" size:
 320x130x320mm Stainless steel wall
 mounted jumbo toilet roll holder with
 refill indicator with cylinder lock operated
 by a special Franke key. Screws and rawl
 plugs included. Material 2.0mm thick
 304 stainless steel.

H=320 W=130 D=320



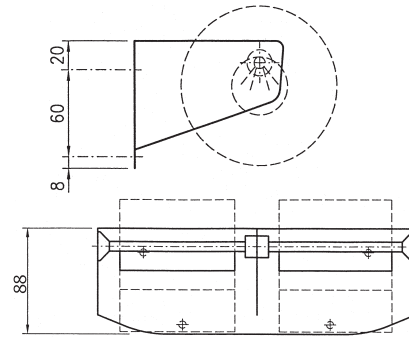
Double Toilet Roll Holder CHRX 676



Product Code: 359815

Description:
 Franke Model "CHRX 676" size:
 268x104x88mm Stainless steel wall
 mounted two roll toilet roll holder with
 thief resistant controlled delivery spindle
 operated by a special Franke key. Screws
 and rawl plugs included. Material 3mm
 thick 304 stainless steel.

H=268 W=104 D=88



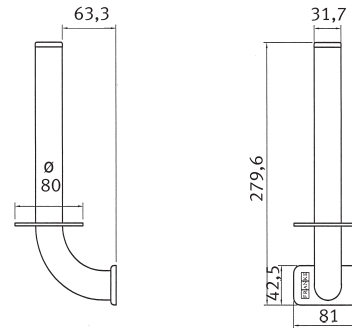
Toilet Roll Holder Bar Type CHRX 679



Product Code: 359810

Description:
 Surface mounted toilet roll holder,
 manufactured from 18/10 stainless steel,
 surface SATIN finish, material thickness
 of the mounting plate 2mm, including
 screws and dowels.

H=279.6mm



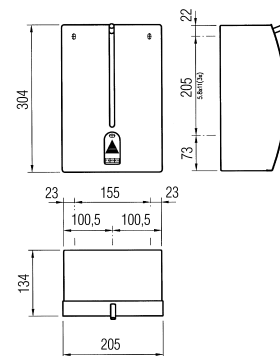
Sanitary Towel Disposal Bin BS 611 V



Product Code: 359830

Description:
 Wall mounted sanitary towel disposal bin,
 manufactured from 18/10 Stainless Steel,
 with a deep drawn lid, welded container
 and Stainless Steel continuous piano
 hinge - SATIN finish. The disposal bin
 incorporates a plastic container with a 6
 litre capacity and is for the disposal of
 sanitary towels and minor waste. Screws
 and rawl plugs are included.

H=304 W=205 D=134



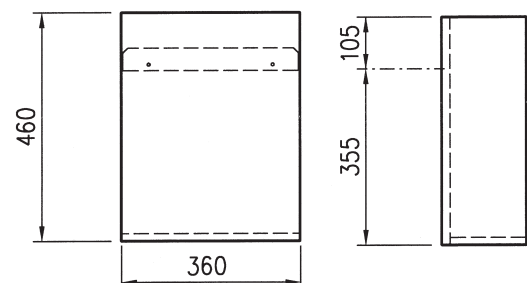
Waste Container BS 604



Product Code: 359821

Description:
 Wall mounted waste container
 manufactured from 18/10 stainless steel
 with a material thickness of 0.9mm and
 seamed welded upper and lower edges.
 The container is for wall mounting and
 has a 26 litre capacity – SATIN finish.
 Screws and rawl plugs are included

H=360 W=460 D=175

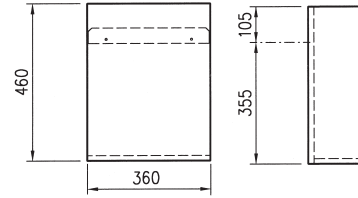


Waste Container CHRX 605



Description:
Wall mounted waste container manufactured from 18/10 stainless steel with a material thickness of 0.9mm and seamed welded upper and lower edges. The container is for wall mounting and has a 26 litre capacity – SATIN finish. Screws and rawl plugs are included. With lock.

H=360 W=460 D=175



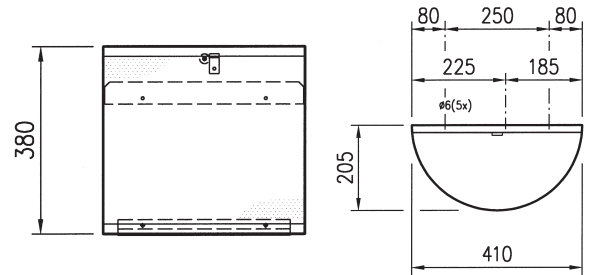
Product Code: 359819

Waste Container BS 609



Description:
Wall mounted waste container manufactured from 18/10 stainless steel with a material thickness of 1.25mm, and a 180 degree radius front and perforated facia pattern. The container is for wall mounting and has a 23 litre capacity – SATIN finish. Screws and rawl plugs are included.

H=380 W=410 D=205



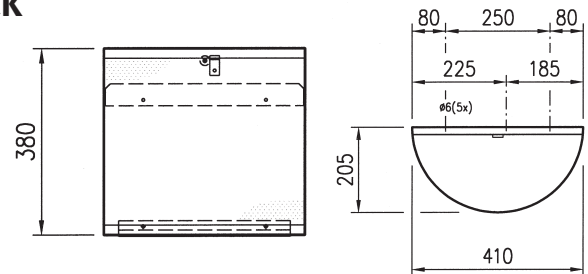
Product Code: 359824

Perforated Waste Container BS 610 with Lock



Description:
Wall mounted waste container manufactured from 18/10 stainless steel with a material thickness of 1.25mm, and a 180 degree radius front and perforated facia pattern. The container is for wall mounting and has a 23 litre capacity – SATIN finish. Screws and rawl plugs are included. With lock.

H=410 W=205 D=380



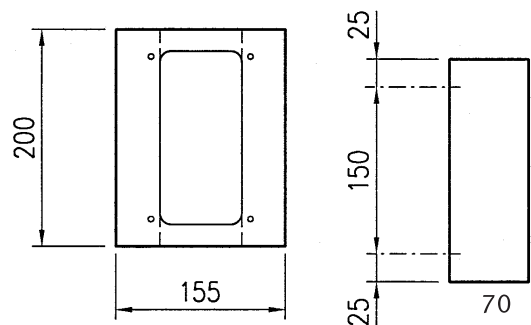
Product Code: 359825

Hygiene Bag Dispenser HBD 190



Description:
Franke Model "HBD 190" Stainless steel wall mounted hygiene bag dispenser with inspection window. Screws and rawl plugs included.

H=200 W=155 D=70



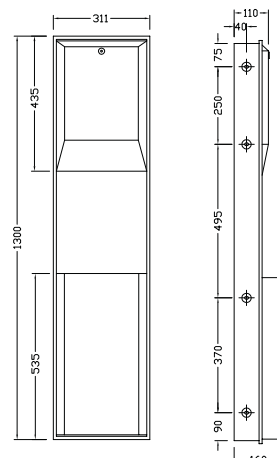
Product Code: 359908

Recessed Paper Towel Dispenser CHRX 603E



Description:
Recessed waste bin, manufactured from 18/10 stainless steel, material thickness 1.2/1.5mm, surface SATIN finish, the container has approx. 34 litre capacity, with cylinder lock and standard Franke key, including screws and dowels.

H=311 W=188 D=1300



Product Code: 359931

Grab Rails

Grab Bar CNTX 450, 550, 600, 650, 750, 900 & 1100

Grab Rails are manufactured with Franke Fine Grip (FFG) surface to comply with European safety standard.



Description:

Grab rail with FFG-surface (Franke Fine Grip) to prevent slipping with an ergonomical, comfortable diameter of about 32mm. Mounting plates are applied for easy mounting. Covers in Stainless Steel 18/10. Screws and dowels are included.

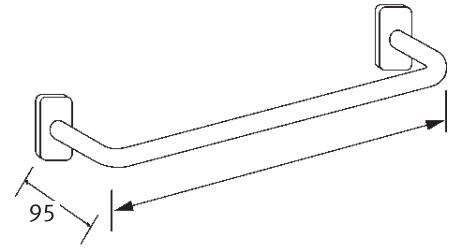


Table of Dimensions in mm

Model	Width	Depth	Product Code
CNTX 300	300	95	359869
CNTX 450	450	95	359870
CNTX 550	550	95	359871
CNTX 600	600	95	359872
CNTX 650	650	95	359873
CNTX 750	750	95	359874
CNTX 900	900	95	359875
CNTX 1100	1100	95	359876

Cistern Back Rail CNTX BR

H=750 W=206

Product Code: 359910

Description:

Grab rail with FFG-surface (Franke fine grip) to prevent slipping with an ergonomical, comfortable diameter of about 32mm. Mounting plates are applied for easy mounting. Covers in stainless steel 18/10. Screws and dowels are included.

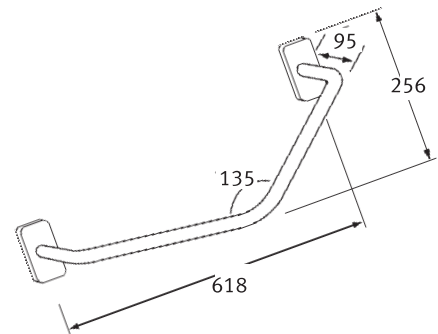
Angle Bar 135 CNTX 700 A



Description:

Grab rail with FFG-surface (Franke Fine Grip) to prevent slipping with an ergonomical, comfortable diameter of about 32mm. Mounting plates are applied for easy mounting. Covers in Stainless Steel 18/10. Screws and dowels are included.

H=256 W=618 D=95



Product Code: 359877

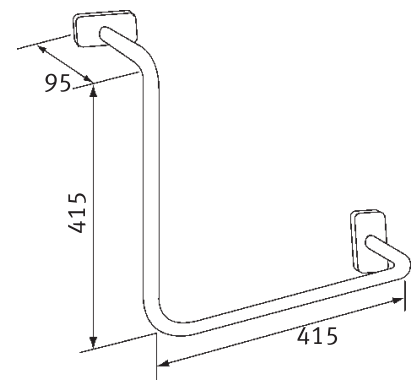
Angle Bar 90 CNTX 21



Description:

Grab rail with FFG-surface (Franke Fine Grip) to prevent slipping with an ergonomical, comfortable diameter of about 32mm. Mounting plates are applied for easy mounting. Covers in Stainless Steel 18/10. Screws and dowels are included.

H=415 W=415 D=95



Product Code: 359880

Side Bar CNTX 40 L

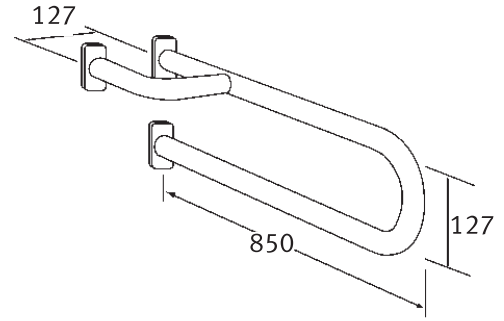


Product Code: 359881

Description:

Grab rail with FFG-surface (Franke Fine Grip) to prevent slipping with an ergonomical, comfortable diameter of about 32mm. Mounting plates are applied for easy mounting. Covers in Stainless Steel 18/10. Screws and dowels are included.

H=127 W=127 D=850



Side Bar CNTX 40 R

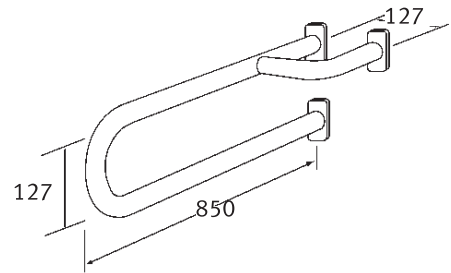


Product Code: 359882

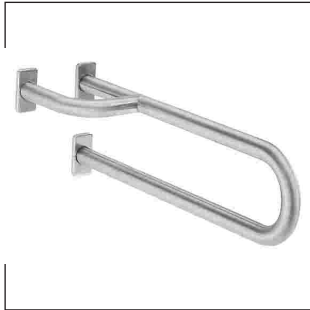
Description:

Grab rail with FFG-surface (Franke Fine Grip) to prevent slipping with an ergonomical, comfortable diameter of about 32mm. Mounting plates are applied for easy mounting. Covers in Stainless Steel 18/10. Screws and dowels are included.

H=127 W=127 D=850



Side Bar CNTX 41 L

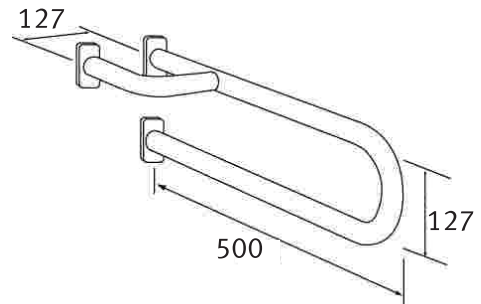


Product Code: 359883

Description:

Grab rail with FFG-surface (Franke Fine Grip) to prevent slipping with an ergonomical, comfortable diameter of about 32mm. Mounting plates are applied for easy mounting. Covers in Stainless Steel 18/10. Screws and dowels are included.

H=127 W=127 D=500



Side Bar CNTX 41R

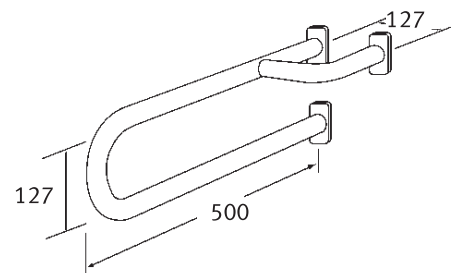


Product Code: 359884

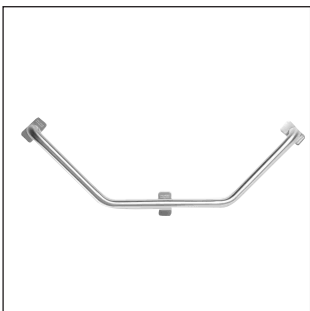
Description:

Grab rail with FFG-surface (Franke Fine Grip) to prevent slipping with an ergonomical, comfortable diameter of about 32mm. Mounting plates are applied for easy mounting. Covers in Stainless Steel 18/10. Screws and dowels are included.

H=127 W=127 D=500



Paraplegic Grab Rail CNTX PAR

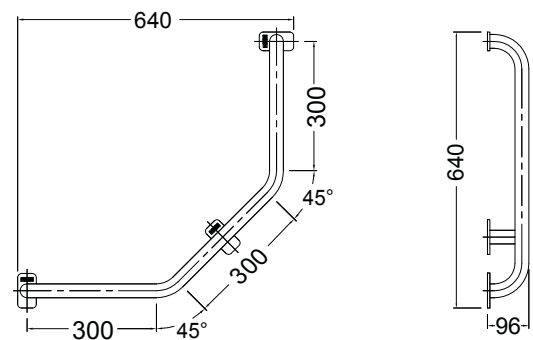


Product Code: 359885

Description:

Grab rail with FFG-surface (Franke fine grip) to prevent slipping with an ergonomical, comfortable diameter of about 32mm. Mounting plates are applied for easy mounting. Covers in stainless steel 18/10. Screws and dowels are included.

H=640 W=640 D=96



Mirrors

Mirror CHRH 401, CHRH 501, CHRH 601

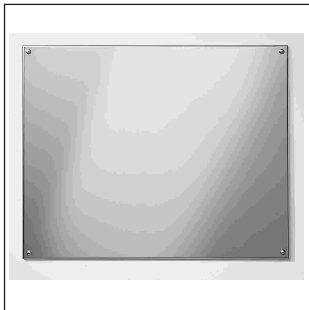


Description:
Mirror manufactured from 18/10 Stainless Steel, flat (1mm), high polished, 4 drillings.

Table of Dimensions in mm

Model	Height	Width	Depth	Product Code
CHRH 401	300	400	1	359900
CHRH 501	400	500	1	359901
CHRH 601	500	600	1	359902

Mirror M400R, M500R, M600R

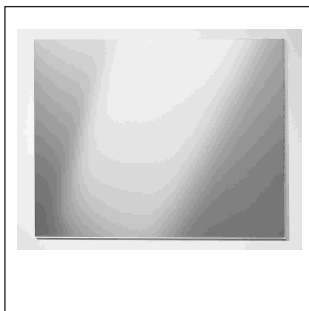


Description:
Mirror manufactured from 18/10 Stainless Steel with reflective polished surface, drilled for screw to wall fixing and reinforced with Novopan plates. Screws and rawl plugs are included.

Table of Dimensions in mm

Model	Height	Width	Depth	Product Code
M400R	300	400	13	359903
M500R	400	500	13	359904
M600R	500	600	13	359905

Mirror M400 HD, M500 HD, M600 HD



Description:
Heavy duty mirror manufactured from 1mm thick Grade 18/10 Stainless Steel with a reflective polished surface and concealed thief resistant fixings. Mounting plate in Grade 304 (18/10) Stainless Steel 2mm thick. Mirror supported with 10mm density board. Screws and rawl plugs are included.

Table of Dimensions in mm

Model	Height	Width	Depth	Product Code
M400 HD	300	400	13	359920
M500 HD	400	500	13	359921
M600 HD	500	600	13	359922

Bathroom Accessories

Single Towel Rail

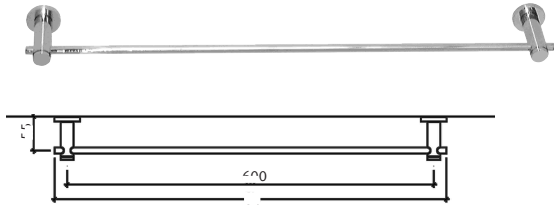


Table of Dimensions in mm

Model	H	W	D	Product Code
BHM9P Polished Stainless Steel		600	55	359933
BHM9B Brushed Stainless Steel		600	55	359947
BHM10P Polished Stainless Steel		900	55	359934
BHM10B Brushed Stainless Steel		900	55	359948

Double Towel Rail

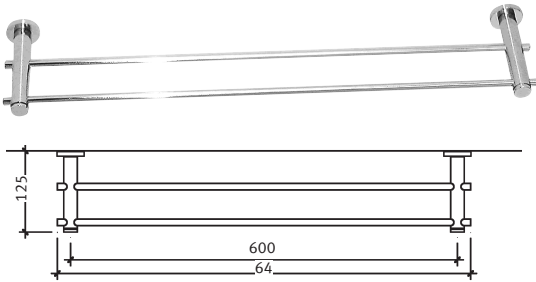


Table of Dimensions in mm

Model	H	W	D	Product Code
BHM11P Polished Stainless Steel		600	125	359935
BHM11B Brushed Stainless Steel		600	125	359949
BHM12P Polished Stainless Steel		900	125	359936
BHM12B Brushed Stainless Steel		900	125	359950

3 Bar Towel Rail

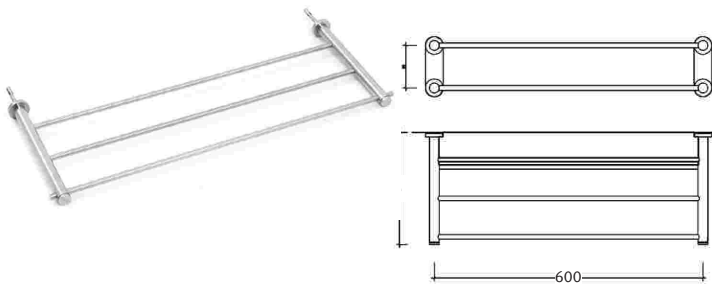


Table of Dimensions in mm

Model	H	W	D	Product Code
BHM3P Polished Stainless Steel		600	250	359932
BHM3B Brushed Stainless Steel		600	250	359946

Towel Ring

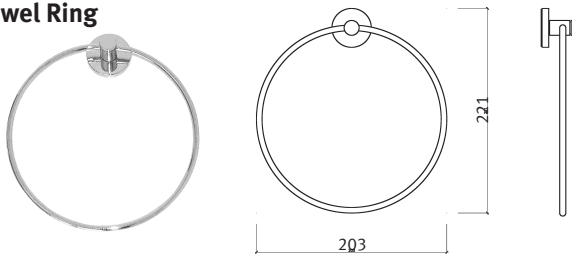


Table of Dimensions in mm

Model	Ø	Product Code
BHM18P Polished Stainless Steel	221	359937
BHM18B Brushed Stainless Steel	221	359951

3/4 Towel Ring

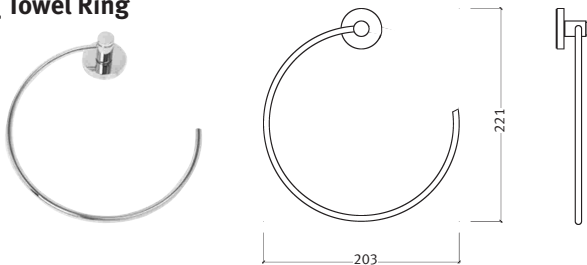


Table of Dimensions in mm

Model	Ø	Product Code
BHM22P Polished Stainless Steel	221	359938
BHM22B Brushed Stainless Steel	221	359952

Robe Hook

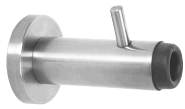


Table of Dimensions in mm

Model	H	W	D	Product Code
BHM16P Polished Stainless Steel				359945
BHM16 B Brushed Stainless Steel				359960

Amenities Rack Glass Shelf

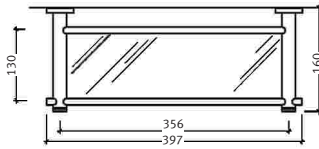
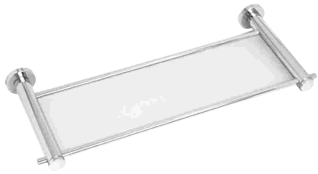


Table of Dimensions in mm

Model	H	W	D	Product Code
BHM4P Polished Stainless Steel		397	160	359939
BHM4B Brushed Stainless Steel		397	160	359954

Amenities Rack

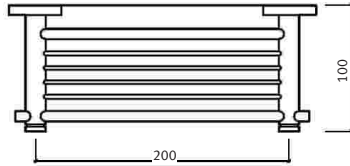


Table of Dimensions in mm

Model	H	W	D	Product Code
BHM7P Polished Stainless Steel		200	100	359940
BHM7B Brushed Stainless Steel		200	100	359955

Toilet Roll Holder

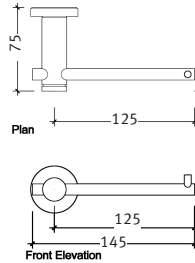
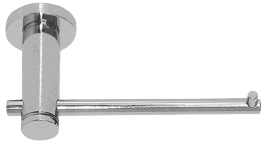


Table of Dimensions in mm

Model	H	W	D	Product Code
BHM13P Polished Stainless Steel		145	75	359941
BHM13B Brushed Stainless Steel		145	75	359956

Spare Toilet Roll Holder

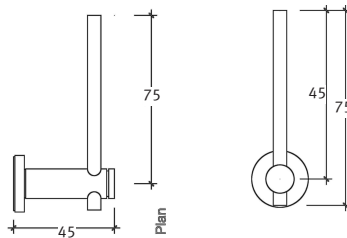


Table of Dimensions in mm

Model	H	W	D	Product Code
BHM14P Polished Stainless Steel	75		45	359942
BHM14B Brushed Stainless Steel	75		45	359957

Single Arm Soap Rack

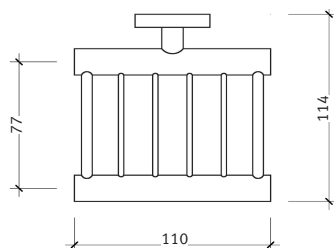


Table of Dimensions in mm

Model	H	W	D	Product Code
BHM5P Polished Stainless Steel		110	114	359943
BHM5B Brushed Stainless Steel		110	114	359958

Double Arm Soap Rack

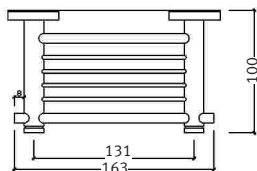


Table of Dimensions in mm

Model	H	W	D	Product Code
BHM6P Polished Stainless Steel		163	100	359944
BHM6B Brushed Stainless Steel		163	100	359959

Franke Kitchen Systems (Pty) Ltd

CALL CENTRE

TEL: 0861 372 653
FAX: (+27-31) 450 6302
e-mail: enquirywss.fsa@franke.com
Website: www.frankewss.co.za

HEAD OFFICE AND FACTORY

1194 South Coast Road, Mobeni,
Durban, 4092.
P.O. Box 72395, Mobeni, Durban,
4060, South Africa.
TEL: (+27-31) 450 6300
FAX: (+27-31) 450 6303

GAUTENG SALES OFFICE

Fleetcall House - Shop 1,
c/o Heuwel & Lenchen North Rd.
Centurion, South Africa.

CAPE TOWN SALES OFFICE

Unit 25/49, Cnr Freedom
& Koeberg Road,
Milnerton, 7441.
P.O. Box 34, Milnerton,
7435, South Africa.

PORT ELIZABETH SHOWROOM

Franke Shop,
The Versatile Centre,
220 Circular Drive,
Lorraine,
6070, South Africa

BLOEMFONTEIN SHOWROOM

Shop 15, College Square
(off Nelson Mandela Drive),
Bloemfontein, South Africa.

© 2004 by Franke Kitchen Systems (Pty) Ltd. All rights reserved under the Copyright Act of 1987 with amendments. Reproduction of any of the content, full or partial, is allowed only with the prior written approval of Franke Kitchen Systems (Pty) Ltd. No reasonable requests will be refused provided conditions as laid out are met.

Disclaimer

The information and data supplied in this brochure is based on information believed to be reliable, however it is not binding and inaccuracies may occur. Franke reserves the right to change specifications and design at any time without notice.

